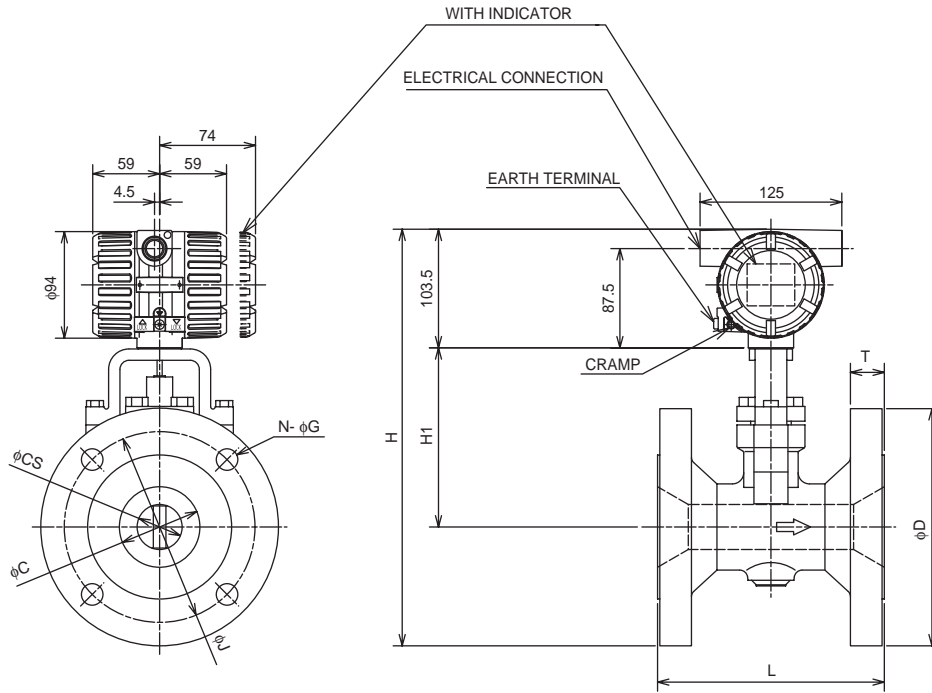


# Drawings

Models DY040, DY050, DY080,  
DY100, DY150, DY200  
(digitalYEWFLO)  
Reduced Bore Type(/R2)  
Digital Vortex Flowmeter(Flange type)

digitalYEWFLO

Unit: mm



| Model Code         | DY040 /R2 |       |                   |                   |
|--------------------|-----------|-------|-------------------|-------------------|
| Process Connection | BJ1       | BJ2   | BA1<br>BS1<br>BP1 | BA2<br>BS2<br>BP2 |
| L                  | 150       |       |                   |                   |
| C                  | 39.7      |       |                   |                   |
| CS                 | 14.6      |       |                   |                   |
| D                  | 140       | 140   | 127               | 155.4             |
| H                  | 300.5     | 300.5 | 294.0             | 308.2             |
| H1                 | 127       |       |                   |                   |
| T                  | 16        | 18    | 17.5              | 20.6              |
| J                  | 105       | 105   | 98.6              | 114.3             |
| N                  | 4         |       |                   |                   |
| G                  | 19        | 19    | 15.7              | 22.4              |
| Weight kg          | 7.7       | 7.9   | 7.6               | 8.8               |

| Model Code         | DY050 /R2 |      |                   |                   |
|--------------------|-----------|------|-------------------|-------------------|
| Process Connection | BJ1       | BJ2  | BA1<br>BS1<br>BP1 | BA2<br>BS2<br>BP2 |
| L                  | 170       |      |                   |                   |
| C                  | 51.1      |      |                   |                   |
| CS                 | 25.7      |      |                   |                   |
| D                  | 155       | 155  | 152.4             | 165.1             |
| H                  | 310       | 310  | 308.7             | 315.1             |
| H1                 | 129       |      |                   |                   |
| T                  | 16        | 18   | 19.1              | 22.4              |
| J                  | 120       | 120  | 120.7             | 127               |
| N                  | 4         | 8    | 4                 | 8                 |
| G                  | 19        |      |                   |                   |
| Weight kg          | 10        | 10.5 | 10.6              | 12.1              |

| Model Code         | DY080 /R2 |       |                   |                   |
|--------------------|-----------|-------|-------------------|-------------------|
| Process Connection | BJ1       | BJ2   | BA1<br>BS1<br>BP1 | BA2<br>BS2<br>BP2 |
| L                  | 200       |       |                   |                   |
| C                  | 71        |       |                   |                   |
| CS                 | 39.7      |       |                   |                   |
| D                  | 185       | 200   | 190.5             | 209.6             |
| H                  | 332       | 339.5 | 334.8             | 344.3             |
| H1                 | 136       |       |                   |                   |
| T                  | 18        | 22    | 23.9              | 28.4              |
| J                  | 150       | 160   | 152.4             | 168.2             |
| N                  | 8         | 8     | 4                 | 8                 |
| G                  | 19        | 23    | 19                | 22.4              |
| Weight kg          | 13.6      | 16.2  | 16.2              | 20                |

| Model Code         | DY100 /R2 |      |                   |                   |
|--------------------|-----------|------|-------------------|-------------------|
| Process Connection | BJ1       | BJ2  | BA1<br>BS1<br>BP1 | BA2<br>BS2<br>BP2 |
| L                  | 220       |      |                   |                   |
| C                  | 93.8      |      |                   |                   |
| CS                 | 51.1      |      |                   |                   |
| D                  | 210       | 225  | 228.6             | 254               |
| H                  | 366.5     | 374  | 375.8             | 388.5             |
| H1                 | 158       |      |                   |                   |
| T                  | 18        | 24   | 23.9              | 31.8              |
| J                  | 175       | 185  | 190.5             | 200.2             |
| N                  | 8         |      |                   |                   |
| G                  | 19        | 23   | 19                | 22.4              |
| Weight kg          | 20.9      | 24.9 | 25.5              | 34                |

| Model Code         | DY150 /R2 |      |                   |                   |
|--------------------|-----------|------|-------------------|-------------------|
| Process Connection | BJ1       | BJ2  | BA1<br>BS1<br>BP1 | BA2<br>BS2<br>BP2 |
| L                  | 270       |      |                   |                   |
| C                  | 138.8     |      |                   |                   |
| CS                 | 71        |      |                   |                   |
| D                  | 280       | 305  | 279.4             | 317.5             |
| H                  | 418.5     | 431  | 418.2             | 437.3             |
| H1                 | 175       |      |                   |                   |
| T                  | 22        | 28   | 25.4              | 36.6              |
| J                  | 240       | 260  | 241.3             | 269.7             |
| N                  | 8         | 12   | 8                 | 12                |
| G                  | 23        | 25   | 22.4              | 22.4              |
| Weight kg          | 40.3      | 50.3 | 43.3              | 61.3              |

| Model Code         | DY200 /R2 |       |                   |                   |
|--------------------|-----------|-------|-------------------|-------------------|
| Process Connection | BJ1       | BJ2   | BA1<br>BS1<br>BP1 | BA2<br>BS2<br>BP2 |
| L                  | 310       |       |                   |                   |
| C                  | 185.6     |       |                   |                   |
| CS                 | 93.8      |       |                   |                   |
| D                  | 330       | 350   | 342.9             | 381               |
| H                  | 458.5     | 468.5 | 465.0             | 484               |
| H1                 | 190       |       |                   |                   |
| T                  | 22        | 30    | 28.4              | 41.1              |
| J                  | 290       | 305   | 298.5             | 330.2             |
| N                  | 12        | 12    | 8                 | 12                |
| G                  | 23        | 25    | 22.4              | 25.4              |
| Weight kg          | 61.9      | 68.9  | 71.9              | 96.9              |

(Note.1) Integral weight is the same as Remote.

(Note.2) In case of with indicator, add 0.2kg.

(Note.3) The hole is not provided.

(Note.4) The flow direction is opposite (right to left when facing onto indicator) in case of code /CRC.