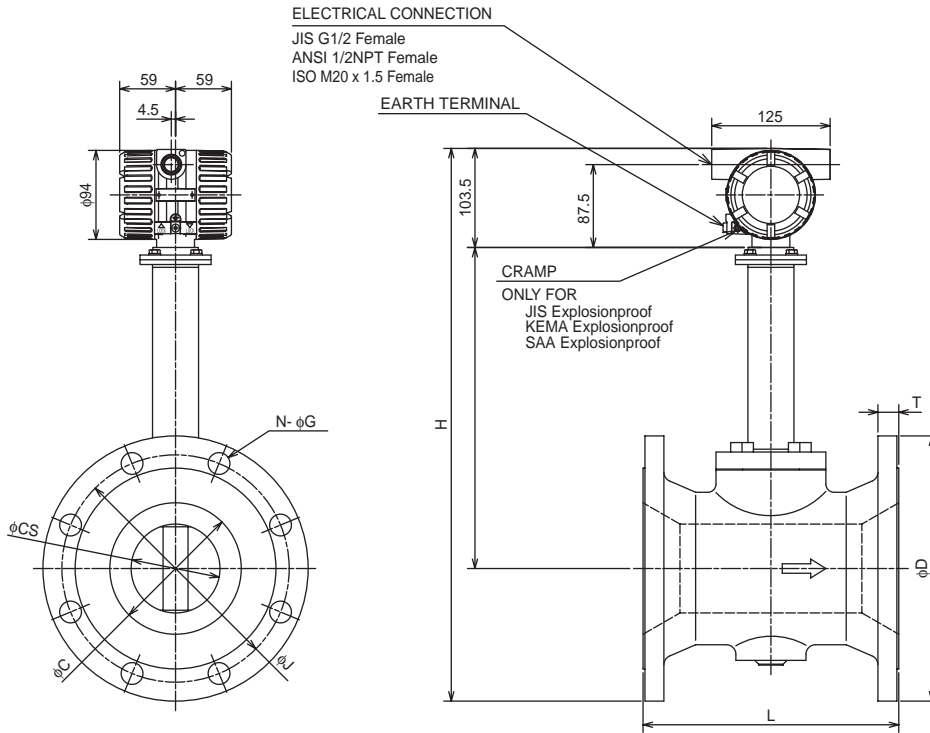


Drawings

Model DY200
 (digitalYEWFLO)
 Reduced Bore Type(/R1)
 High Process Temperature Version(/HT)(Flange type)

digitalYEWFLO

Unit: mm



Model Code	DY200 /R1/HT			
Process Connection	BJ1	BJ2	BA1 BS1 BP1	BA2 BS2 BP2
L	310			
C	185.6			
CS	138.8			
D	330	350	342.9	381
H	607.5	617.5	614	633
H1	339			
T	22	30	28.4	41.1
J	290	305	298.5	330.2
N	12	12	8	12
G	23	25	22.4	25.4
Weight kg	58.7	74.1	70.7	102.9

(Note.1) The flow direction is opposite (right to left when facing onto indicator) in case of code /CRC.