

Drawings

Models DY100, DY150

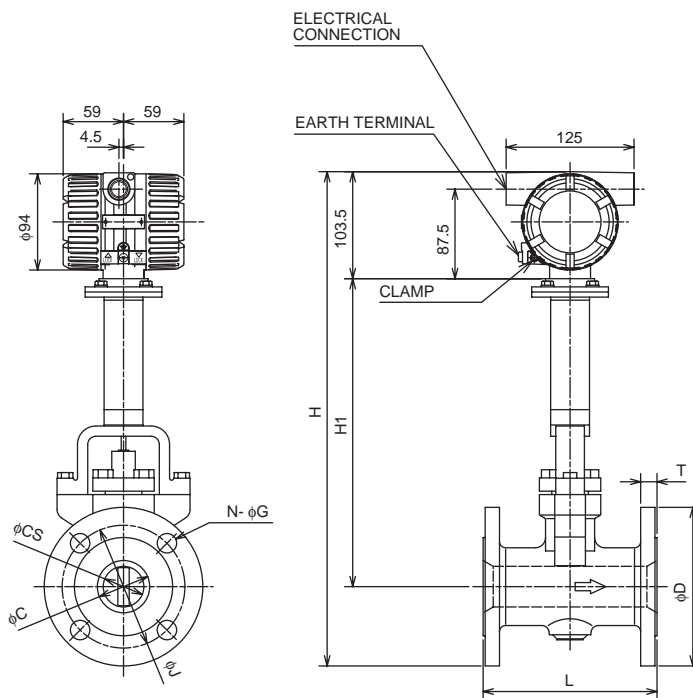
digitalYEWFLOW

(digitalYEWFLOW)

Reduced Bore Type(/R1)

High Process Temperature Version(/HT)(Flange type)

Unit: mm



Model Code	DY100 /R1/HT			
Process Connection	BJ1	BJ2	BA1 BS1 BP1	BA2 BS2 BP2
L	220			
C	93.8			
CS	71			
D	210	225	228.6	254
H	526.5	534	536	548.5
H1	318			
T	18	24	23.9	31.8
J	175	185	190.5	200.2
N	8			
G	19	23	19	22.4
Weight kg	25.4	30.4	31.0	41.4

Model Code	DY150 /R1/HT			
Process Connection	BJ1	BJ2	BA1 BS1 BP1	BA2 BS2 BP2
L	270			
C	138.8			
CS	93.8			
D	280	305	279.4	317.5
H	576.5	589	576	595.5
H1	333			
T	22	28	25.4	36.6
J	240	260	241.3	269.7
N	8	12	8	12
G	23	25	22.4	22.4
Weight kg	45.9	56.3	49.4	71.7

(Note.1) The flow direction is opposite (right to left when facing onto indicator) in case of code /CRC.