

# Drawings

Models DY040, DY050, DY080

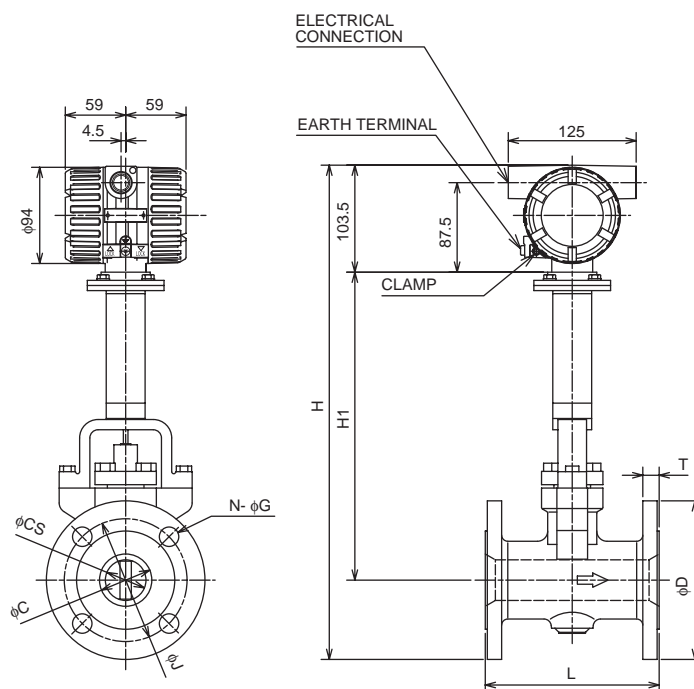
digitalYEWFL0

(digitalYEWFL0)

Reduced Bore Type(/R1)

High Process Temperature Version(/HT)(Flange type)

Unit: mm



Model Code	DY040 /R1/HT			
Process Connection	BJ1	BJ2	BA1 BS1 BP1	BA2 BS2 BP2
L	150			
C	39.7			
CS	25.7			
D	140	140	127	155.4
H	445.5	445.5	439	453
H1	272			
T	16	18	17.5	20.6
J	105	105	98.6	114.3
N	4			
G	19	19	15.7	22.4
Weight kg	10	10.5	9.8	13.0

Model Code	DY050 /R1/HT			
Process Connection	BJ1	BJ2	BA1 BS1 BP1	BA2 BS2 BP2
L	170			
C	51.1			
CS	39.7			
D	155	155	152.4	165.1
H	460	460	458.5	465
H1	279			
T	16	18	19.1	22.4
J	120	120	120.7	127
N	4	8	4	8
G	19	19	19	19
Weight kg	10.9	11.5	11.8	14.0

Model Code	DY080 /R1/HT			
Process Connection	BJ1	BJ2	BA1 BS1 BP1	BA2 BS2 BP2
L	200			
C	71			
CS	51.1			
D	185	200	190.5	209.6
H	497	504.5	500	509.5
H1	301			
T	18	22	23.9	28.4
J	150	160	152.4	168.2
N	8	8	4	8
G	19	23	19	22.4
Weight kg	19	22.1	22.3	27.3

(Note.1) The flow direction is opposite (right to left when facing onto indicator) in case of code /CRC.