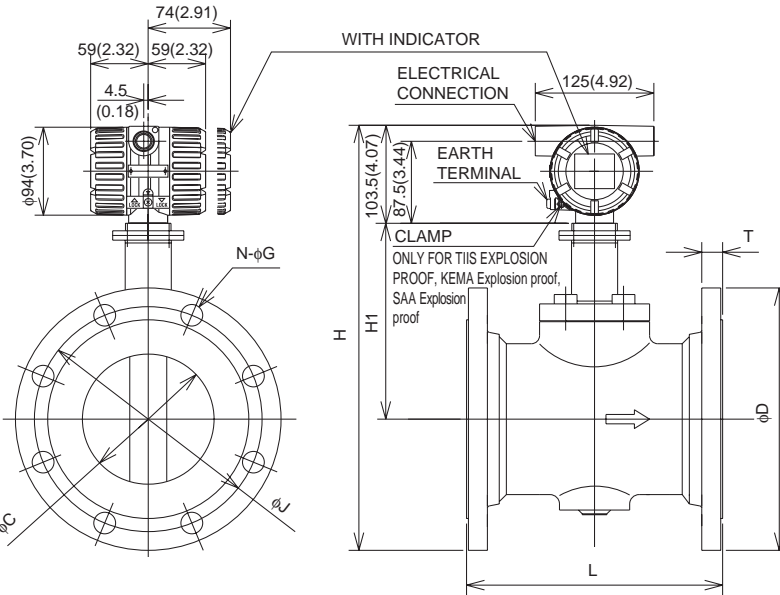


# Drawings

## Models DY150, DY200, DY250 and DY300 digitalYEWFLO (digitalYEWFLO) Digital Vortex Flowmeter (Integral / Remote and Flange type)



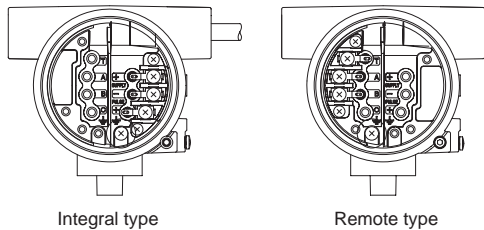
Unit: mm  
(approx. inch)

TYPE	INTEGRAL/REMOTE																									
	DY150 (150mm, 6in)										DY200 (200mm, 8in)															
CODE																										
PROCESS CONNECTION	BJ1	BJ2	BJ4	BA1	BA2	BA4	BA5	BD1	BD3	BD5	BD6	CA4	CA5	BJ1	BJ2	BA1	BA2	BA4	BA5	BD1	BD2	BD3	BD4	CA4	CA5	
L	270 (10.63)										310 (12.21)															
C	138.8 (5.46)										185.6 (7.31)															
D	280	305	365	279.4	317.5	356	381	285	300	345	365	356	381	330	350	342.9	381	419.1	469.9	340	340	360	375	419.1	469.9	
H	453	465	490	452	471	491	503	455	463	485	490	491	503	510	520	516	535	554	579	515	515	525	532	554	579	
H1	209 (8.23)										241 (9.49)															
T	22	28	44	25.4	36.6	54.4	62	22	28	36	44	55.7	63.6	22	30	28.4	41.1	62	69.9	24	24	30	34	63.6	71.4	
J	240	260	295	241.3	269.7	292	317.5	240	250	280	290	292	317.5	290	305	298.5	330.2	349.3	393.7	295	295	310	320	349.3	393.7	
N	8	12	12	8	12	12	12	8	8	8	12	12	12	12	8	12	12	12	8	12	12	12	12	12	12	
G	23	25	33	22.4	22.4	28.4	31.8	22	26	33	33	28.4	31.8	23	25	22.4	25.4	31.8	38.1	22	22	26	30	31.8	38.1	
WEIGHT	kg	33.4	43.4	76.4	36.4	54.4	84.4	106	33.4	42.9	58.1	76.4	90	107	45.4	52.4	55.4	80.4	136	182	46.3	46.3	53.6	55.9	139	183
	lb	73.65	95.70	168.46	80.26	119.95	186.10	233.73	73.65	94.59	128.11	168.46	198.45	235.94	100.11	115.54	122.16	177.28	299.88	401.31	102.09	102.09	118.19	123.26	306.52	403.52

TYPE	INTEGRAL/REMOTE					
	DY250 (250mm, 10in)			DY300 (300mm, 12in)		
CODE						
PROCESS CONNECTION	BJ1	BJ2	BA1	BA2	BA1	BA2
L	370 (14.57)			400 (15.75)		
C	230.3 (9.09)			276.2 (10.87)		
D	400	430	406.4	444.5	445	480
H	581	596	584	603	633	651
H1	277 (10.91)			307 (12.09)		
T	24	34	30.2	47.8	24	36
J	365	380	362	387.4	400	430
N	12	12	12	16	16	16
G	25	27	25.4	28.5	25	27
WEIGHT	kg	78	100	90	125	100
	lb	171.99	220.50	198.45	275.63	220.50

(Note 1) Integral weight is the same as Remote  
(Note 2) In case of with indicator, add 0.2kg  
(Note 3) The flow direction is opposite (right to left when facing onto indicator) in case of code / CRC.

### Terminal Wiring



Integral Type (BRAIN or HART protocol)	SUPPLY +	Power Supply and 4 to 20mA DC Output Terminal
	PULSE +	
Integral Type (Foundation Fieldbus)	SUPPLY +	Fieldbus Communication Terminal
	SUPPLY -	
Remote Type Detector	T	Built-in Temperature Sensor Terminal
	A	Signal Output Terminal
	B	
	C	Common Terminal
	$\perp$	Ground Terminal

\* Use DYC signal cable for remote type  
\* T is used for /MV only.